



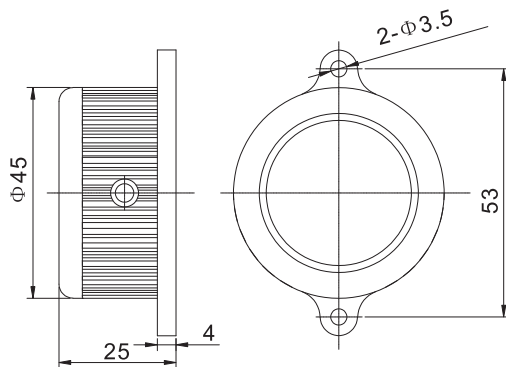
**W. Schmid AG**

LED-Technology  
the visible difference

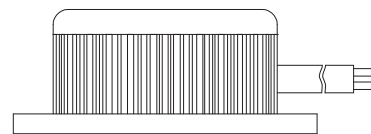
## Surface mounted LED spot ABS45



ABS45, 12 VDC



2 mounting holes  $\text{Ø}=3,5\text{mm}$ ,  
distance: 53mm



lateral cable outlet

### Specifications:

Description:	Surface mounted flat LED spot ABS45, 45mm
Dimensions:	$\text{Ø}=45\text{mm}$ , $H=25\text{mm}$
Supply voltage:	12 VDC
Power consumption:	3.0W
Viewing angle:	$25^\circ$
Degree of protection:	IP 65
Class of protection:	III
Operating temperature:	-25 up to $+50^\circ\text{C}$
Material:	Black anodized aluminium, transparent lens
Weight:	0.08kg
Connection:	Cable, length: 0.3-0.4m
Available ill. colours:	white, warm white, red, yellow, green, blue, orange
Applications:	Pilot light, access control, machine indicator, wall lamp, floor lamp, alarm indicator etc.