



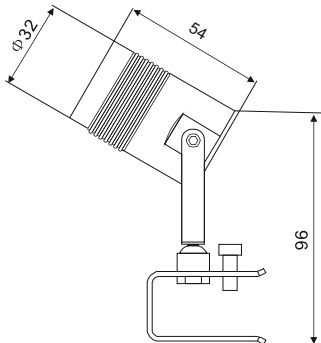
**W. Schmid AG**

LED-Technology  
the visible difference

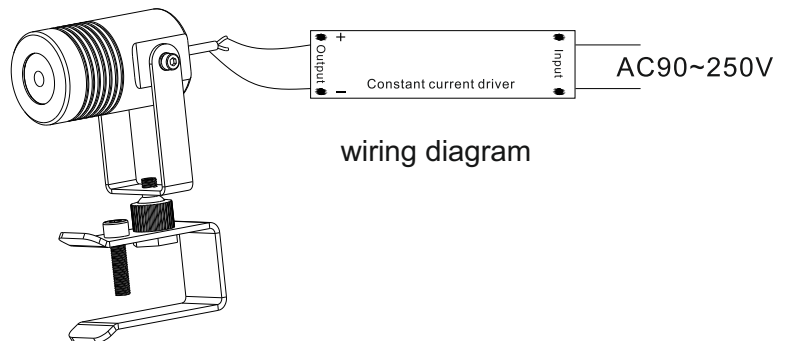
## LED spot SPL32



SPL32, 2.8 VDC



1 mounting hole  $\varnothing$  4mm,  
supporting bracket for up to 22mm max.



wiring diagram

support can be removed

### Specifications:

Description:	LED spot light type SPL32, 32mm
Dimensions:	$\varnothing$ 32mm, L=54mm
Supply voltage:	2.8 VDC
Power consumption:	1W
Viewing angles:	8°/15°/45°
Degree of protection:	IP 65
Class of protection:	III
Operating temperature:	-25 up to +50°C
Material:	Aluminium, powder coated, black, transparent PC lens
Weight:	0.1kg
Connection:	Cable, length: 0.30-0.40m
Available ill. colours:	white, warm white, red, yellow, green, blue, orange
Applications:	Machine light, working place light, signalling device, decorative lamp, garden lamp