



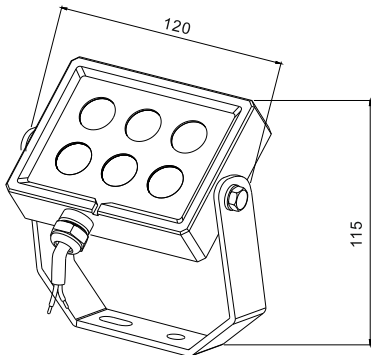
W. Schmid AG

LED-Technology
the visible difference

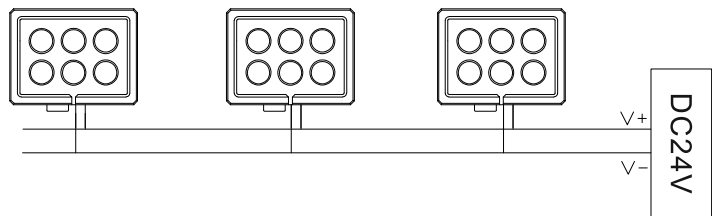
LED spot SPL75S



SPL75S, 24 VDC



2 mounting holes \varnothing 8mm,
distance 30mm



Wiring diagram

Specifications:

Description:	Rectangular LED spot light type SPL75S, 75x100mm
Dimensions:	L=75mm, W=100mm, D=28mm
Supply voltage:	24 VDC
Power consumption:	6W
Viewing angles:	15°/25°/45°
Degree of protection:	IP 65
Class of protection:	III
Operating temperature:	-25 up to +50°C
Material:	Powder coated aluminium (silver), transparent PC lens
Weight:	0.6kg
Connection:	Cable, length: 0.30-0.40m
Available ill. colours:	white, warm white, red, yellow, green, blue, orange, RGB
Applications:	Machine light, working place light, signalling device, decorative lamp, garden lamp etc.