



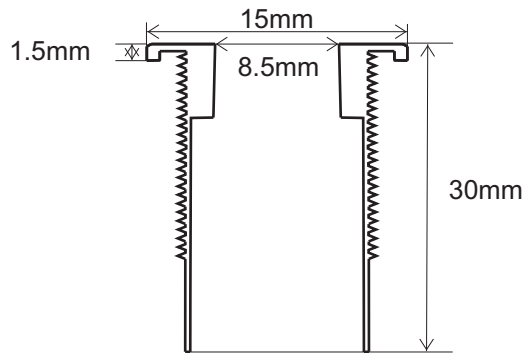
W. Schmid AG

LED-Technology
the visible difference

LED - Indicator SL 15



SL 15 - LED Indicator



Nut M12x1 / SW 14mm
O-ring 1mm

- this pilot lamp exceeds all expectations regarding quality, life span and brightness
- reliable LED technology - round LED, 15mm Ø
- different ill. colors available (see separate color code table)
- long service life (half-life of >50'000 hours)
- resin encapsulation system - gas-tight and waterproof IP67
- grey or black anodized aluminum housing
- other housing colors, nickel or chrome plated aluminum housings as an option
- resistant against acids and vandalism
- alternatively with faston connectors, cable connection 1.2 mtr or screw connectors
- available for different supply voltages, low current consumption
- ambient temperature range -40 to +85 °C
- for use in the chemical industry, railways, machine or mining industry

Technical specifications

Color	Wavelength
red	630nm
yellow	590nm
green	520nm
orange	610nm
blue	430nm
white	X = 0.29 / Y = 0.3

Current consumption

20 mA (12/24 VDC), 6-8 mA (115 VDC/VAC), 4 mA (230 VAC)

Operating and storage temperature

-40 °C bis +85°C

Standard options

Series

SL = flat indicator

Diameter

15 = 15mm

Terminals

L = soldering leads

F = faston terminals 2,8 x0,8mm

C = cable connection 1,2m

Color code

1 = red 6 = blue

2 = yellow 7 = white

3 = green 8 = red-green

4 = orange 136 = red-green-blue

Lens

C = colored

W = white

Voltages

D = VDC, 5 - 115 VDC

A = VAC, 5 - 230 VAC

Housing

A = standard aluminum, hard anodized, colorless

B = aluminum anodized black

N = nickel plated aluminum

C = chrome plated aluminum

Nut

P = Standard black plastic, glass fibre reinforced

M = Metal nut

Ordering example

SL15 F1 W24 DBP

LED Indicator SL 17, 17mm diameter, faston connector, red LED, white opaque lens, 24 VDC, black anodized aluminum housing, plastic nut M12x1, O-ring NBR 70



Upon request

- other voltages
- common anode
- other connectors
- flashing LED
- other housing colors
- lettering on illuminated surface

Manufacturer

W. Schmid AG
Dorfstrasse 23
5442 Fislisbach
Switzerland

Tel: +41 56 470 00 77 Fax: +41 56 470 00 74

E-mail: sales@led-lamps.ch URL: <http://www.led-lamps.ch>