



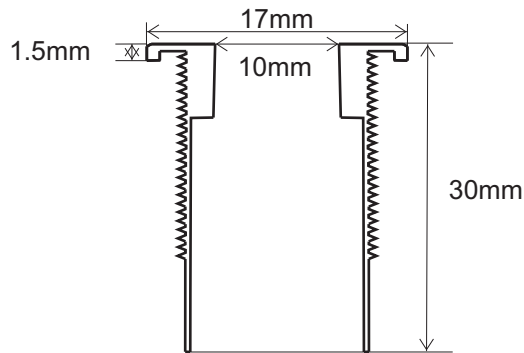
W. Schmid AG

LED-Technology
the visible difference

LED - Indicator SL 17



SL 17 - LED Indicator



Nut M14x1 / SW 17mm
O-ring 1mm

- this pilot lamp exceeds all expectations regarding quality, life span and brightness
- reliable LED technology - round LED, 17mm Ø
- different ill. colors available (see separate color code table)
- long service life (half-life of >50'000 hours)
- resin encapsulation system - gas-tight and waterproof IP67
- grey or black anodized aluminum housing
- other housing colors and nickel or chrome plated aluminum housings as an option
- resistant against acids and vandalism
- alternatively with faston connectors, cable connection 1.2 mtr or screw connectors
- available for different supply voltages, low current consumption
- ambient temperature range -40 to +85 °C
- for applications in the chemical industry, railways, machine or mining industry

Technical specifications

| Color | Wavelength |
|--------|--------------------|
| red | 630nm |
| yellow | 590nm |
| green | 520nm |
| orange | 620nm |
| blue | 470nm |
| white | X = 0.3 / Y = 0.32 |

Current consumption

20 mA (12/24 VDC), 6-8 mA (115 VDC/VAC), 4 mA (230 VAC)

Operating and storage temperature

-40 °C bis +85°C

Standard options

Series

SL = flat indicator

Diameter

17 = 17mm

Terminals

L = soldering leads

F = faston terminals 2,8 x0,8mm

C = cable connection 1,2m

Color code

1 = red 6 = blue
2 = yellow 7 = white
3 = green 8 = red-green
4 = orange 136 = red-green-blue

Lens

C = colored

W = white

Voltages

D = VDC, 5 - 115 VDC

A = VAC, 5 - 230 VAC

Housing

A = standard aluminum, hard anodized, colorless

B = aluminum anodized, black

N = nickel plated aluminum

C = chrome plated aluminum

Nut

P = Standard black plastic, glass fibre reinforced

M = Metal nut

Ordering example

SL17 F2 C24 DAP

LED Indicator SL 17, 17mm diameter, faston connector 2,8x0,8mm, yellow LED, yellow colored flat lens, 24 VDC, colorless anodized aluminum housing, plastic nut M14x1, O-ring NBR 70



Upon request

- other voltages
- common anode
- other connectors
- flashing LED
- other housing colors
- lettering on illuminated surface

Manufacturer

W. Schmid AG
Dorfstrasse 23
5442 Fislisbach
Switzerland

Tel: +41 56 470 00 77 Fax: +41 56 470 00 74

E-mail: sales@led-lamps.ch URL: <http://www.led-lamps.ch>